



RR4-25 with optional 14.5" fiberglass rain cap



ST-27B-AL with optional 14.5" aluminum rain cap



R312-A with optional 12" aluminum  
rain cap and side trash hole



Furnishings  
for  
Public  
Spaces

## Rain Caps

With the increased banning of indoor smoking, more and more people step just outside the nearest door for a quick cigarette. Ash urns and waste receptacles are appearing at the entrances of department stores, university buildings, corporate offices, etc. RPI has developed a line of rain caps to protect these outdoor units during periods of precipitation.

Where wind conditions may become unfavorable, it is recommended that ample sand be placed in the bowls and pans to weigh them down, as well as putting extra weight in the bases of the ash urns and waste receptacles themselves.

Rain caps are offered in fiberglass or dark grey hardcoat anodized aluminum.

Two typical arrangements are detailed below.

### To specify:

Indicate diameter and material of rain cap.

### To specify color:

For fiberglass colors, see color page C-8.

### Rain Cap Configurations for Product Models

#### 14.5" dia. cap with 3 supports

HF-19-W  
HF-19-WFG  
HF-19-WA  
HS-11-W  
HS-22-W  
HS-22-WFG  
HS-22-WA  
STX-11-W  
STX-22-W  
STX-22-WFG  
STX-22-WA  
ST or STX-27B  
ST or STX-41B  
STX-41-RCY  
R312-W

#### 14.5" dia. cap with center column

HS-11-A  
STX-11-A  
CR512-A  
R312-A  
RR4-25

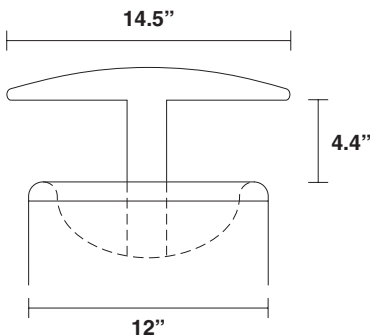
#### 16" dia. cap with center column

RR4-50

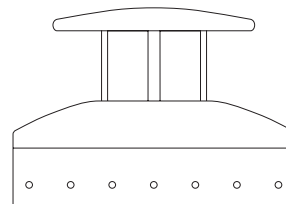
#### 16" dia cap with 3 supports

ST or STX-53B  
CR-40C

### Example Details



14.5" dia. Rain Cap with 12" dia. Bowl



Typical Three Support Rain Cap with Dome Top